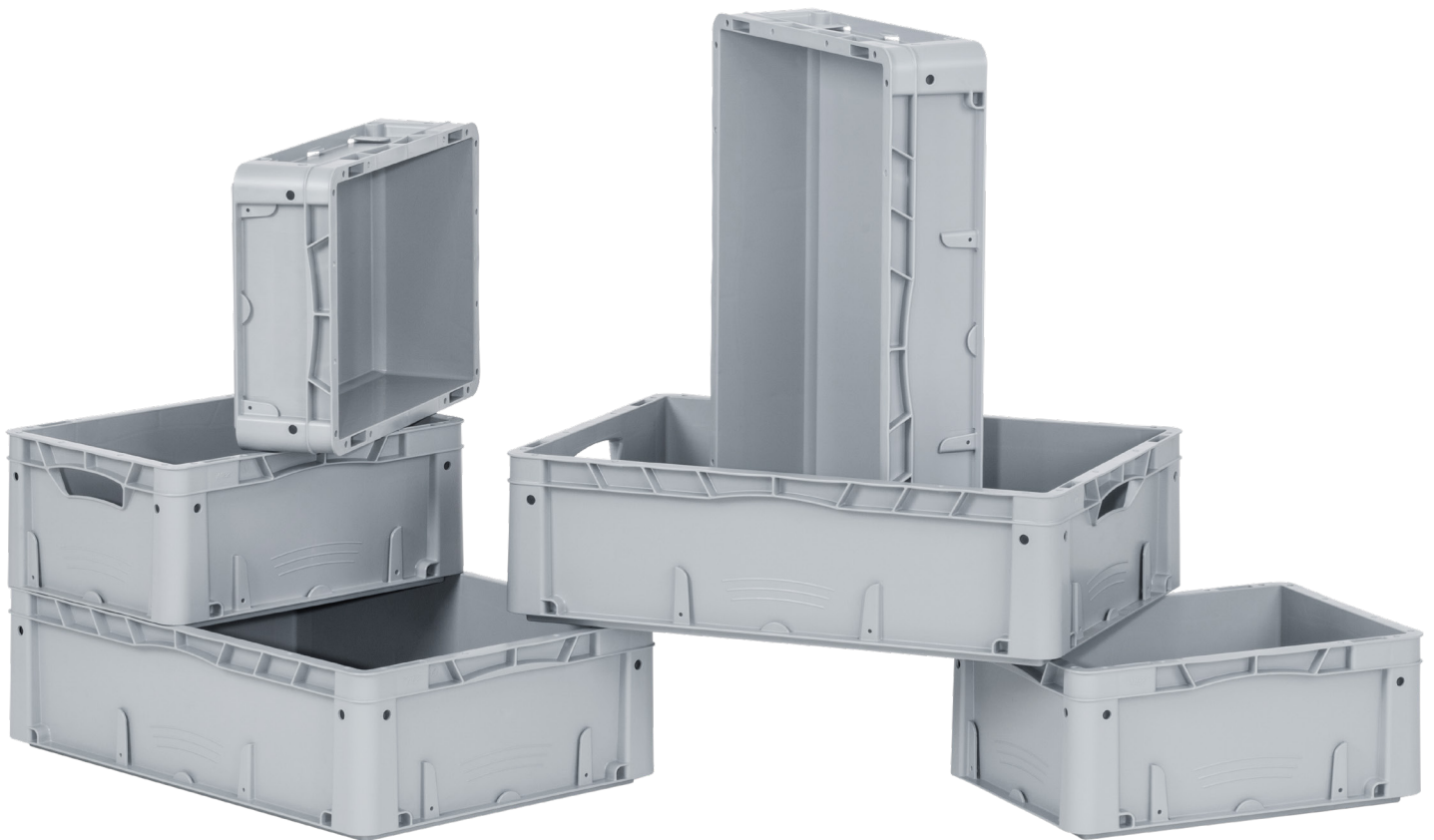


AUTOMATIC BOX

Container LL Futura AB

The stackable Logiline Futura container is the closed variant of our Automatic Box. Reinforcements, different handling options and the high degree of dimensional accuracy guarantee trouble-free running.

These containers run particularly smoothly when being transported on roller conveyors and have optional access openings, and are suitable for both automated and manual handling.



Applications

The Logiline Futura container is ideally suited for the automated handling of food and non-food products in storage systems for small parts.

Tip

Equipped with the extremely smooth-running and heavy duty **perimeter ribbed base 064**, the Logiline Futura container is perfect to use in fully automated storage systems.

Special types

All non-stock items are marked thus and available on request only.

